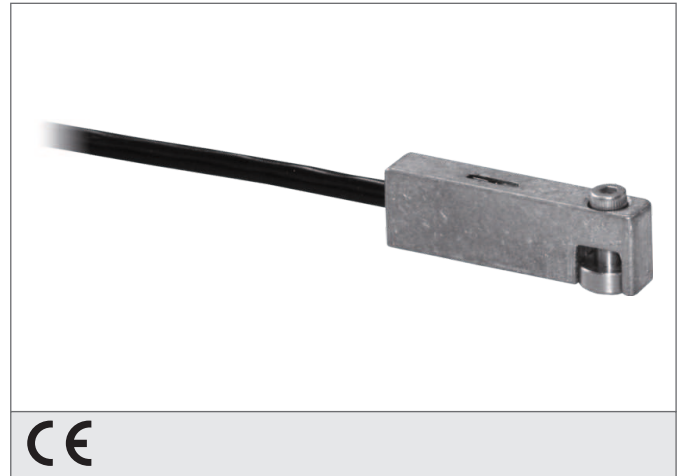


MZET 28 PSK-K0.6-TSSL

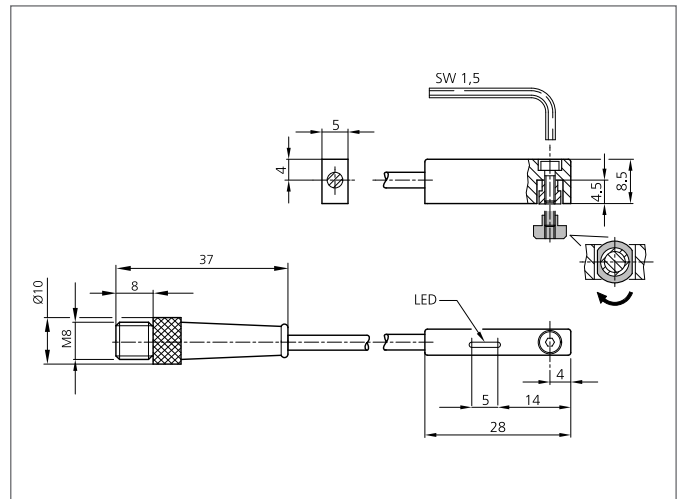
Cylinder Sensor

- To be inserted from above
- Metal casing
- Mechanically weld-proof
- All-electronically
- High reproducibility



Safety instructions

The Instruments are not to be used for safety applications, in particular applications in which safety of persons depends on proper operation of the instruments.
 These instruments shall exclusively be used by qualified personnel.



TECHNICAL INFORMATION (typ.)		+20°C, 24V DC
Cylinder groove		T-groove, to be inserted from above in the slot
Mounting		Locknut, allen screw SW 1.5 mm
Maximum rating		200 mA, short-circuit-proof, polarity-safe
Service voltage		10 ... 30 V DC
Internal power consumption		< 10 mA
Switching output		pnp, 200 mA, NO, short circuit protected
Display		LED: yellow - output signal
Voltage drop		2,0 V
Switching frequency		1.000 Hz
Reproducibility		< 0,1 mm
Ambient temperature		-25 ... +70 °C
Insulation voltage endurance		500 V
Protection class		IP 68, (Device and cable), IP 67, (Connector)
Protection degree		III, operation on protective low voltage
Casing material		Die-cast zinc
Connection		cable PUR, Connector, M8, 600 mm
Connecting cable		TK ...